

# LINED VALVES



## VALVE SOLUTIONS for Corrosive Applications



AUTHORISED DISTRIBUTOR FOR  
Australia/NZ/PNG/Philippines

**RHINOFLEX™**

RHINOFLEX VALVE SOLUTIONS PTY.LTD

4/7 Holder Way, Malaga, W.A 6090

Phone: +61 -08 61130808

sales@rfvs.com.au



**UNPPolyvalves**

Manufacturer of PFA/FEP/PTFE Lined & Plastic Valves,  
Pipes & Pipe Fittings



# VALVE SOLUTIONS

## for Corrosive Applications

### About Us

UNP Polyvalves is manufacturing Corrosive application valves since 1988.

UNP started with all plastic valves with limited size options, today has a complete range of corrosive application valves in both options of Solid Plastic valves and Lined valves. UNP now has in its range Ball, Plug, Butterfly, Diaphragm valves, Non-return valves, Strainers, Sampling valves, Pipes and Pipe Fittings. This completes range of complete piping solution in corrosive applications.

UNP has most modern facility situated at Por with latest moulding technology and highest moulding capacity to manufacture lined valves as large as 24" with Injection moulding machines of largest capacity in the country.

Envisioned for quality and reliability, UNP Polyvalves aims for highest level of Customer satisfaction through its solutions with the commitment for excellence in all spheres of business.

UNP Polyvalves possesses live skill sets headed by highly knowledgeable, technically

experienced entrepreneurs. These experts lead and guide their team with a great vision to achieve high quality standards to make products for its high performance and unmatched quality.

UNP Polyvalves, over all these years has been dealing with almost all chemical process industries in Chlor Alkali, Chemical, Pharmaceutical, Mining, Refineries etc., in India and exporting to 35+ countries in the world including market such as USA, Europe, Latin America, Africa, Russia, South East Asia, Australia etc. . . .

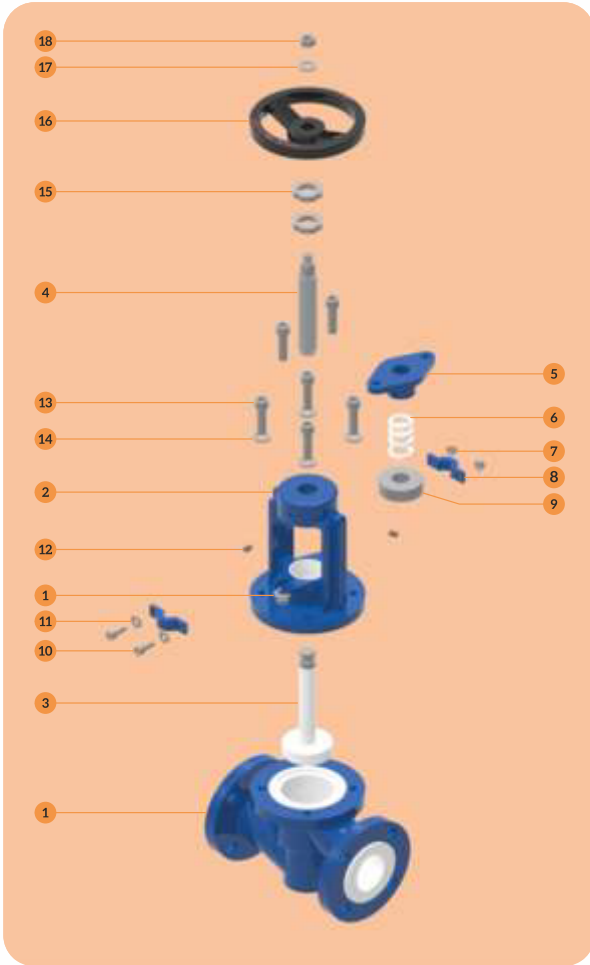
### Achievements

UNP Polyvalves through its technical expertise and involvement in knowing Physical process parameters could help resolving corrosion problems related to valves and piping system in Industries such as Chlor Alkali, CRM in Steel Industries, Chemical injection skids for Oil and Gas and many more chemical plant across the world. UNP today has approvals from leading consultants such as UHDE, Jacobs Engineering, Mott McDonald, Toyo Engineering, Fluor Daniel, TUV, EIL etc., and have worked for their prestigious projects.



# LINED GLOBE VALVE FLANGED ENDS

## PART LIST



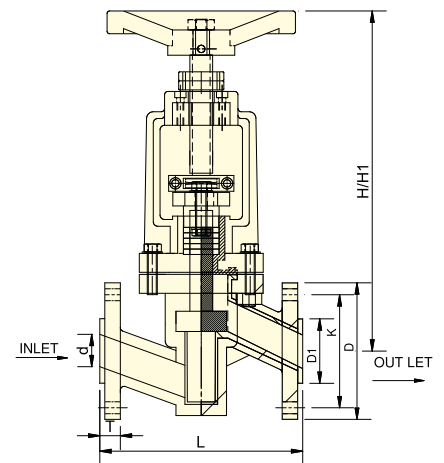
PART NO.	DESCRIPTION	MATERIAL OF CONSTRUCTION	QTY.
1	Body	ASTM A 216 GR.WCB + PFA LINED	1
2	Bonnet / Yoke	ASTM A 216 GR.WCB + PFA LINED	1
3	Plug With Integral Stem	SS 304 + PFA LINED	1
4	Spindle	SS 304	1
5	Gland Cover	ASTM A 216 GR. WCB	1
6	Chevron Packing	PTFE	4
7	Saddle Nuts	SS 304	2
8	Saddle	ASTM A 216 GR. WCB	1
9	Stem Sleeve	SS 304	1
10	Saddle Allen Bolts	HT STEEL GR. 10.9	2
11	Saddle Bolt Washers	STEEL	2
12	Grub Screws For Sleeve	HT	2
13	Body Bolts	ASTM A 193 GR. B7	4-6
14	Body Bolt Washers	STEEL	4-6
15	Stem Lock Nuts	SS 304	2
16	Hand Wheel	CARBON STEEL	1
17	Handwheel Washer	STEEL	1
18	Handwheel Nut	SS 304	1

## PRODUCT DESIGN AND TESTS PERFORMED

DESIGN PARAMETERS	STANDARD
Design Standard	API 600 / BS 18 73
Shell Design	ANSI B 16.34
Face To Face Dimensions	EN 558-SERIES 1
Flange Connection Rating	ANSI B 16.5 150# / DIN PN 10
Testing Standard	BS EN 12266-1
Connection	FLANGED, RF
TESTS PERFORMED	EN 12266-1
Sizes	0.5"-4"
High Pressure Shell Test Hydro	225 PSI
High Pressure Seat Test Hydro	165 PSI
Low Pressure Seat Test Pneumatic	75 PSI
SPARK TEST	KVDC
Testing Done At	20 KVDC
MATERIAL	OPTIONS AVAILABLE
Castings	ASTM A 216 GR. WCB, ASTM A 351 GR. CF8 / CF8M, HASTELLOY C 276 / INCONEL
Lining Materials	PFA/FEP/ETFE/PVDF/PPH



## SECTIONAL VIEW



## DIMENSIONS

Size	L ±0.12		d ±0.04		D1 ±0.08		D ±0.08		K ±0.08		T ±0.05		H1 ±0.10		n	ø	
	INCH	MM	INCH	MM	INCH	MM	INCH	MM	INCH	MM	INCH	MM	INCH	MM		INCH	MM
0.5"	5.11	130	0.49	12.5	1.37	35	3.74	95	2.36	60	0.59	15	10.40	265	04	5/8	16
0.75"	5.90	150	0.74	19	1.69	43	4.13	105	2.75	70	0.59	15	10.40	265	04	5/8	16
1"	6.29	160	0.98	25	2.48	51	4.25	108	3.10	79	0.61	15.5	11.60	295	04	5/8	16
1.5"	7.87	200	1.49	38	2.87	73	5.07	129	3.85	98	0.82	21	14.30	365	04	5/8	16
2"	9.05	230	1.96	50	3.62	92	6.06	154	4.76	121	0.82	21	15.40	393	04	3/4	19
3"	12.20	310	2.95	75	5.00	127	7.48	190	6.00	152.5	0.98	25	18.30	465	04	3/4	19
4"	13.77	350	3.93	100	6.18	157	9.01	229	7.50	191	1.06	27	21.50	547	08	3/4	19

All Dimensions are in Inches & mm unless otherwise specified. PCD of the Valve can be provided in ANSI / DIN / JIS. Tolerances are given in Inches.



# GLOBE CONTROL VALVE FLANGED ENDS



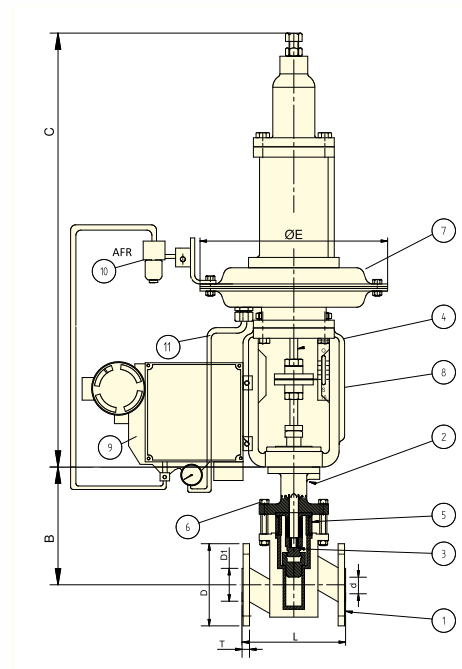
## PRODUCT DESIGN AND TESTS PERFORMED

DESIGN PARAMETERS	STANDARD	
Design Standard	API 600 / BS 18 73	
Shell Design	ANSI B 16.34	
Face To Face Dimensions	EN 558- SERIES 1	
Flange Connection Rating	ANSI B 16.5 150# / DIN PN 10	
Testing Standard	BS EN 12266-1	
Connection	FLANGED, RF	
TESTS PERFORMED	EN 12266-1	EN 12266-1
Sizes	0.5"-4"	5"-8"
High Pressure Shell Test Hydro	225 PSI	135 PSI
High Pressure Seat Test Hydro	165 PSI	105 PSI
Low Pressure Seat Test Pneumatic	75 PSI	75 PSI
SPARK TEST	KVDC	
Testing Done At	20 KVDC	
MATERIAL	OPTIONS AVAILABLE	
Castings	ASTM A 216 GR. WCB, ASTM A 351 GR. CF8 / CF8M, HASTELLOY C 276 / INCONEL	
Lining Materials	PFA/FEP/ETFE/PVDF/PPH	

## PART LIST

PART NO.	DESCRIPTION	MATERIAL OF CONSTRUCTION	QTY.
1	Body	ASTM A 216 GR.WCB + PFA LINED	1
2	Bonnet	ASTM A 216 GR.WCB BOLTED	1
3	Bellow	PTFE	1
4	Stem	SS 316	1
5	Adaptor	CS + PFA + LINED	1
6	Fasteners	SS 304	-
7	Actuator	CI EPOXY PAINTED	1
8	Yoke	CI EPOXY PAINTED	1
9	Positioner	CUSTOMER REQUIREMENT	1
10	AFR	CUSTOMER REQUIREMENT	1
11	Tubing	SS 304	1

## SECTIONAL VIEW



## DIMENSIONS

Size	L ±0.11		d ±0.04		D1 ±0.04		D ±0.04		K ±0.062		T ±0.11/0.00		n	ø		B ±0.00		C ±0.00		øE	
	INCH	MM	INCH	MM	INCH	MM	INCH	MM	INCH	MM	INCH	MM		INCH	MM	INCH	MM	INCH	MM	INCH	MM
0.5"	5.11	130	0.49	12.5	1.37	35	3.74	95	2.36	60	0.59	15	04	5/8	16	6.50	165	26.3	670	11.4	290
0.75"	5.90	150	0.74	19	1.69	43	4.13	105	2.75	70	0.59	15	04	5/8	16	7.16	182	26.3	670	11.4	290
1"	6.2	160	0.98	25	2.00	51	4.25	108	3.11	79	0.49	12.5	04	5/8	16	7.16	182	26.3	670	11.4	290
1.5"	7.87	200	1.5	38	2.87	73	5.00	127	3.86	98	0.7	18	04	5/8	16	9.76	248	26.3	670	11.4	290
2"	9.0	230	1.97	50	3.62	92	5.98	152	4.76	121	0.7	18	04	3/4	19	10.1	258	26.3	670	11.4	290
3"	12.2	310	2.95	75	5.0	127	7.48	190	5.98	152	0.86	22	08	3/4	19	11.4	290	27.4	697	15.0	382
4"	13.7	350	3.7	100	6.18	157	9.01	229	7.52	191	0.94	24	08	3/4	19	13.0	331	27.4	697	15.0	382

All Dimensions are in Inches & mm unless otherwise specified. PCD of the Valve can be provided in ANSI / DIN / JIS. Tolerances are given in Inches.





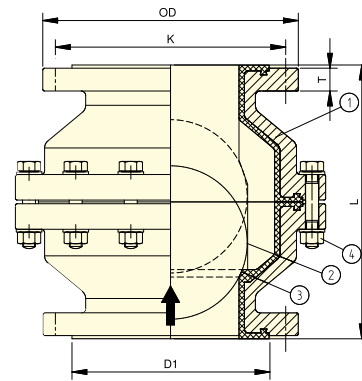
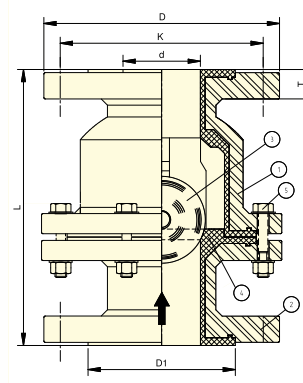
# BALL CHECK VALVE FLANGED ENDS

## PART LIST

PART NO.	DESCRIPTION	MATERIAL OF CONSTRUCTION	QTY.
1	Body	ASTM A 216 GR. WCB + PFA LINED	1
2	Side Piece	ASTM A 216 GR. WCB + PFA LINED	1
3	Ball	SOLID PTFE / TFM	1
4	Seat	INTEGRAL PFA	1
5	Fasteners	ASTM A 193 GR. B7 / 2H	4-8



## SECTIONAL VIEW



## PRODUCT DESIGN AND TESTS PERFORMED

DESIGN PARAMETERS	STANDARD	
Design Standard	MANUFACTURER'S STANDARD	
Shell Design	ANSI B 16.34	
Face To Face Dimensions	ANSI B 16.1 UPTO 4">6" MFR'S STANDARD	
Flange Connection Rating	ANSI B 16.5 150# / DIN PN 10	
Testing Standard	BS EN 12266-1	
Connection	FLANGED, RF	
TESTS PERFORMED	EN 12266-1	EN 12266-1
Sizes	0.5"-3"	4"-8"
High Pressure Shell Test Hydro	225 PSI	150 PSI
High Pressure Seat Test Hydro	165 PSI	150 PSI
Low Pressure Seat Test Pneumatic	45 PSI	45 PSI
SPARK TEST	KVDC	
Testing Done At	20 KVDC	
MATERIAL	OPTIONS AVAILABLE	
Castings	ASTM A 216 GR. WCB, ASTM A 351 GR. CF8 / CF8M, HASTELLOY C 276 / INCONEL	
Lining Materials	PFA/FEP/ETFE/PVDF/PPH	

DIMENSIONS

Size	L ±0.12		d ±0.04		D ±0.03		D1 ±0.03		T +0.11/-0.00		K ±0.06		ø		n
	INCH	MM	INCH	MM	INCH	MM	INCH	MM	INCH	MM	INCH	MM	INCH	MM	
0.5"	4.25	108	0.49	12.5	3.54	90	1.38	35	0.47	12	2.36	60	5/8	16	04
0.75"	5.0	127	0.7	19	4.25	108	1.69	43	0.59	15	2.71	69	5/8	16	04
1"	5.0	127	0.9	25	4.25	108	2.0	51	0.59	15	3.11	79	5/8	16	04
1.25"	6.49	165	1.2	32	5.0	127	2.51	64	0.74	19	3.5	89	5/8	16	04
1.5"	6.49	165	1.49	38	5.0	127	2.87	73	0.74	19	3.86	98	5/8	16	04
2"	7.0	178	1.96	50	5.98	152	3.62	92	0.80	20.5	4.76	121	3/4	19	04
2.5"	7.99	203	2.55	65	7.51	191	4.13	105	0.98	25	5.51	140	3/4	19	04
3"	7.99	203	2.95	75	7.51	191	5	127	0.98	25	5.98	152	3/4	19	04
4"	9.01	229	3.93	100	9.0	229	6.18	157	0.98	25	7.51	191	3/4	19	08
6"	11.9	303	5.9	150	11.02	280	8.5	216	0.98	25	9.48	241	7/8	22	08
8"	16.7	425	7.87	200	14.6	373	10.6	270	1.1	28	11.7	298	7/8	22	08

All Dimensions are in Inches & mm unless otherwise specified.  
PCD of the Valve can be provided in ANSI / DIN / JIS.  
Tolerances are given in Inches.

# SWING CHECK VALVE WAFER DESIGN

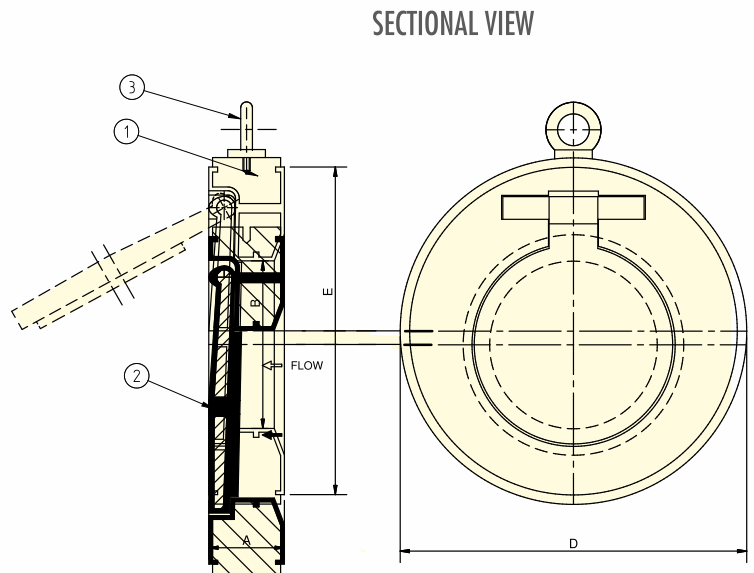


## PART LIST

PART NO.	DESCRIPTION	MATERIAL OF CONSTRUCTION	QTY.
1	Body	ASTM A 216 GR WCB EPOXY PAINTED + MIN. 3 MM THK. PFA LINING ON ALL WETTED PARTS	1
2	Flap	ASTMA 216 GR WCB INSERTED PFA LINED LINING THICKNESS MIN. 3MM	1
3	Eye - Hook	MS GALVANISED / SS 304 / SS 316	1

## PRODUCT DESIGN AND TESTS PERFORMED

DESIGN PARAMETERS	STANDARD	
Design Standard	MANUFACTURER'S STANDARD	
Shell Design	ANSI B 16.34	
Face To Face Dimensions	MFR'S STANDRAD	
Flange Connection Rating	ANSI B 16.5 150# / DIN PN 10	
Testing Standard	BS EN 12266-1	
Connection	WAFER, RF	
TESTS PERFORMED	EN 12266-1	EN 12266-1
Sizes	2" - 16"	5"-8"
High Pressure Shell Test Hydro	270 PSI	270 PSI
High Pressure Seat Test Hydro	195 PSI	195 PSI
Low Pressure Seat Test Pneumatic	45 PSI	45 PSI
SPARK TEST	KVDC	
Testing Done At	20 KVDC	
MATERIAL	OPTIONS AVAILABLE	
Castings	ASTM A 216 GR. WCB, ASTM A 351 GR. CF8 / CF8M, HASTELLOY C 276 / INCONEL	
Lining Materials	PFA/FEP/ETFE/PVDF/PPH	



## SECTIONAL VIEW

## DIMENSIONS

Size	A ±0.12		B ±0.04		D ±0.04		E ±0.08	
	INCH	MM	INCH	MM	INCH	MM	INCH	MM
1.5"	1.42	36	0.79	20	3.5	89	2.71	69
2"	1.57	40	1.10	28	4.00	102	3.62	92
3"	1.81	46	1.73	44	5.19	132	5.00	127
4"	2.05	52	2.56	65	6.73	171	5.98	152
6"	2.20	56	4.37	111	8.54	217	8.14	207
8"	2.36	60	5.23	133	10.78	274	10.23	260
10"	2.68	68	7.24	184	13.18	335	12.48	317
12"	3.07	78	9.13	232	15.94	405	14.84	377
14"	3.46	88	9.06	230	17.52	445	16.14	410
16"	4.02	102	11.81	300	19.29	490	18.50	470

All Dimensions are in Inches & mm unless otherwise specified.  
PCD of the Valve can be provided in ANSI / DIN / JIS.  
Tolerances are given in Inches.



# SIGHT GLASS FULL VIEW FLANGED ENDS



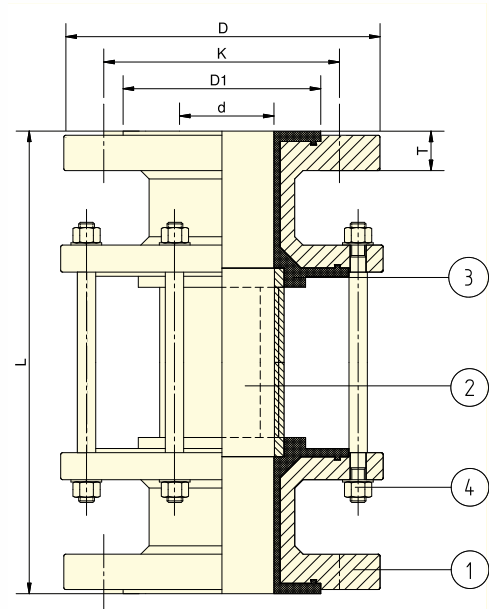
## PART LIST

PART NO.	DESCRIPTION	MATERIAL OF CONSTRUCTION	QTY.
1	Body	ASTM A 216 GR.WCB + PFA LINED LINED (MIN. 3 THK ) ON ALL WATTED PARTS & RAISED FACES	1
2	Glass	BOROSILICATE TUBE	1
3	Glass Seat	INTEGRAL - PFA	2
4	Fastners	SS 304 / ASTM A193 GR B7 194GR 2H	4 - 8

## PRODUCT DESIGN AND TESTS PERFORMED

DESIGN PARAMETERS	STANDARD	
Design Standard	MANUFACTURER'S STANDARD	
Shell Design	ANSI B 16.34	
Face To Face Dimensions	MFR'S STANDARD	
Flange Connection Rating	ANSI B 16.5 150# / DIN PN 10	
Testing Standard	BS EN 12266-1	
Connection	FLANGED, RF	
TESTS PERFORMED	EN 12266-1	EN 12266-1
Sizes	1"- 3"	4"- 8"
High Pressure Shell Test Hydro	150 PSI	75 PSI
SPARK TEST	KVDC	
Testing Done At	20 KVDC	
MATERIAL	OPTIONS AVAILABLE	
Castings	ASTM A 216 GR. WCB, ASTM A 351 GR. CF8 / CF8M, HASTELLOY C 276 / INCONEL	
Lining Materials	PFA/FEP/ETFE/PVDF/PPH	

## SECTIONAL VIEW



## DIMENSIONS

Size	L ±0.12		d ±0.02		D1 ±0.02		D3 ±0.04		T +0.12 / -0.00		K ±0.06		n	∅	
	INCH	MM	INCH	MM	INCH	MM	INCH	MM	INCH	MM	INCH	MM		INCH	MM
0.5"	5.51	140	0.49	12.5	1.38	35	3.54	90	0.59	15	2.36	60	04	5/8	16
1"	6.38	162	0.98	25	2	51	4.25	108	0.67	17	3.11	79	04	5/8	16
1.5"	7.09	180	1.49	38	2.87	73	5	127	0.67	17	3.86	98	04	5/8	16
2"	8.35	212	1.97	50	3.62	92	6.02	153	0.75	19	4.76	121	04	3/4	19
2.5"	9.64	245	2.56	65	4.13	105	7.01	178	0.90	23	5.51	140	04	3/4	19
3"	10.15	258	2.95	75	5	127	7.51	191	0.90	23	5.98	152	04	3/4	19
4"	11.73	298	3.94	100	6.18	157	9.05	230	0.90	23	7.51	191	08	3/4	19
6"	14.76	375	5.90	150	8.50	216	11.02	280	0.98	25	9.49	241	08	7/8	22

All Dimensions are in Inches & mm unless otherwise specified. PCD of the Valve can be provided in ANSI / DIN / JIS. Tolerances are given in Inches.



# SIGHT GLASS

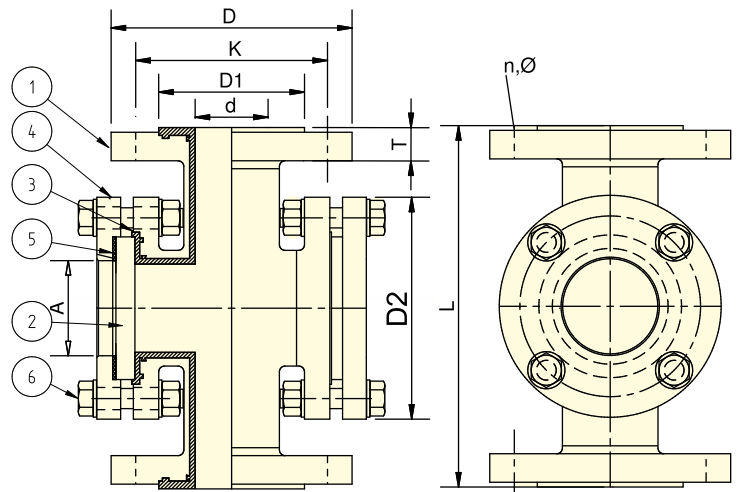
## DOUBLE WINDOW, FLANGED ENDS



### PART LIST

PART NO.	DESCRIPTION	MATERIAL OF CONSTRUCTION	QTY.
1	Body	ASTM A 216 GR.WCB + PFA LINED WETTED PARTS & RAISED FACES	1
2	Glass	TOUGHENED BOROSILICATE	2
3	Glass Seat	INTEGRAL - PFA	2
4	Cover Flange	CS EPOXY PAINTED	2
5	Glass Packing	PTFE	2
6	Fasteners	ASTM A193 GR. B7, A194 GR. 2H	4-8

### SECTIONAL VIEW



### PRODUCT DESIGN AND TESTS PERFORMED

DESIGN PARAMETERS	STANDARD	
Design Standard	MANUFACTURER'S STANDARD	
Shell Design	ANSI B 16.34	
Face To Face Dimensions	MFR'S STANDARD	
Flange Connection Rating	ANSI B 16.5 150# / DIN PN 10	
Testing Standard	BS EN 12266-1	
Connection	FLANGED, RF	
TESTS PERFORMED	EN 12266-1	EN 12266-1
Sizes	1" - 3"	4" - 8"
High Pressure Shell Test Hydro	150 PSI	150 PSI
SPARK TEST	KVDC	
Testing Done At	20 KVDC	
MATERIAL	OPTIONS AVAILABLE	
Castings	ASTM A 216 GR. WCB, ASTM A 351 GR. CF8 / CF8M, HASTELLOY C 276 / INCONEL	
Lining Materials	PFA/FEP/ETFE/PVDF/PPH	

### DIMENSIONS

Size	L ±0.12		d ±0.08		D1 ±0.04		D ±0.04		D2 ±0.04		A ±0.08		T +0.12 / -0.00		K ±0.06		n	∅	
	INCH	MM	INCH	MM	INCH	MM	INCH	MM	INCH	MM	INCH	MM	INCH	MM	INCH	MM		INCH	MM
1"	7.00	178	0.98	25	2.00	51	4.25	108	3.34	85	1.18	30	0.67	17	3.11	79	04	5/8	16
1.5"	8.03	204	1.50	38	2.87	73	5.00	127	4.33	110	1.77	45	0.67	17	3.86	98	04	5/8	16
2"	8.98	228	1.97	50	3.62	92	5.98	152	5.31	135	2.36	60	0.75	19	4.76	121	04	3/4	19
2.5"	10.00	254	2.56	65	4.13	105	7.00	178	6.10	155	2.95	75	0.79	20	5.51	140	04	3/4	19
3"	11.00	280	2.95	75	5.00	127	7.52	191	6.89	175	3.54	90	0.90	23	5.98	152	04	3/4	19
4"	13.00	330	2.94	100	6.18	157	8.98	228	8.07	205	4.33	110	0.90	23	7.51	191	08	3/4	19
5"	14.96	380	4.92	125	7.32	186	10.00	254	8.85	225	5.31	135	0.98	25	8.50	216	08	7/8	22
6"	15.98	406	5.90	150	8.50	216	11.02	280	9.84	250	6.89	175	0.98	25	9.49	241	08	7/8	22
8"	18.03	458	7.87	200	10.62	270	13.50	343	12.40	315	8.85	225	1.10	28	11.73	298	08	7/8	22

All Dimensions are in Inches & mm unless otherwise specified. PCD of the Valve can be provided in ANSI / DIN / JIS. Tolerances are given in Inches.



# LINED 'Y' TYPE STRAINER FLANGED ENDS



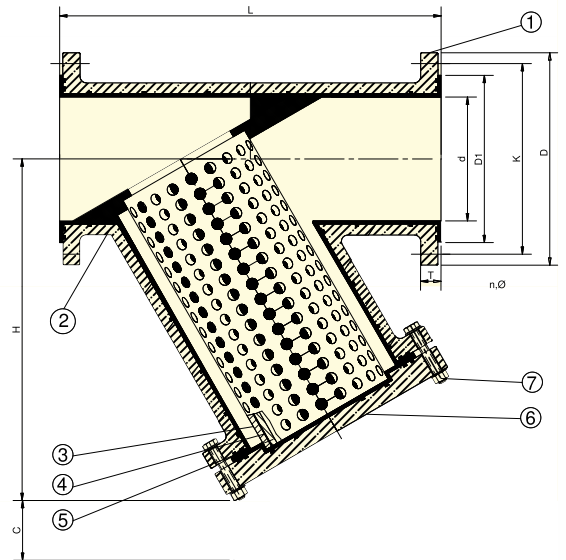
## PART LIST

PART NO.	DESCRIPTION	MATERIAL OF CONSTRUCTION	QTY.
1	Shell	ASTM A 216 GR.WCB + PFA LINED LINNING THK. MIN. 3MM	1
2	Seat	INTEGRAL - PFA	1
3	Outer Tube	PTFE	1
4	Filter Web	ETFE 40 MESH	1
5	Inner Tube	PTFE	1
6	Shell Cover	CS + PFA LINED	1
7	Fasteners	ASTM A 193 GR B7 / 2H	4/8
8	Locking Pin	PTFE	1

## PRODUCT DESIGN AND TESTS PERFORMED

DESIGN PARAMETERS	STANDARD	
Design Standard	MANUFACTURER'S STANDARD	
Shell Design	ANSI B 16.34	
Face To Face Dimensions	MFR'S STANDARD	
Flange Connection Rating	ANSI B 16.5 150# / DIN PN 10	
Testing Standard	BS EN 12266-1	
Connection	FLANGED, RF	
TESTS PERFORMED	EN 12266-1	EN 12266-1
Sizes	1" - 8"	
High Pressure Shell Test Hydro	150 PSI	
SPARK TEST	KVDC	
Testing Done At	20 KVDC	
MATERIAL	OPTIONS AVAILABLE	
Castings	ASTM A 216 GR. WCB, ASTM A 351 GR. CF8 / CF8M, HASTELLOY C 276 / INCONEL	
Lining Materials	PFA/FEP/ETFE/PVDF/PPH	

## SECTIONAL VIEW



## DIMENSIONS

Size	L ±0.20		d		D1 ±0.04		D ±0.04		H ±0.20		T +0.12 / -0.00		K ±0.06		n	ø		CLEARANCE C	
	INCH	MM	INCH	MM	INCH	MM	INCH	MM	INCH	MM	INCH	MM	INCH	MM		INCH	MM	INCH	MM
0.75"	7.48	190	0.51	13	1.69	43	3.86	98	5.11	130	0.63	16	2.75	70	04	5/8	16	7.87	200
1"	7.48	190	0.98	25	2.01	51	4.25	108	5.11	130	0.67	17	3.11	79	04	5/8	16	7.87	200
1.5"	10.43	265	1.50	38	2.87	73	5.00	127	9.44	240	0.75	17	3.86	98	04	5/8	16	7.87	200
2"	11.18	284	1.97	50	3.62	92	5.98	152	9.44	240	0.75	19	4.76	121	04	3/4	19	7.87	200
2.5"	12.60	320	2.56	65	4.13	105	7.00	178	9.44	240	0.87	22	5.51	140	04	3/4	19	7.87	200
3"	13.78	350	2.95	75	5.00	127	7.5	191	9.84	250	0.90	23	5.98	152	04	3/4	19	7.87	200
4"	16.34	415	3.94	100	6.18	157	9.05	230	12.20	310	0.90	23	7.52	191	08	3/4	19	11.81	300
6"	20.47	520	5.90	150	8.50	216	11.02	280	15.27	388	0.98	25	9.49	241	08	7/8	22	11.81	300
8"	23.82	605	7.87	200	10.62	270	13.5	343	23.03	585	1.10	28	11.73	298	08	7/8	22	13.78	350

All Dimensions are in Inches & mm unless otherwise specified. PCD of the Valve can be provided in ANSI / DIN / JIS. Tolerances are given in Inches.

# SAMPLING VALVE FLANGED ENDS



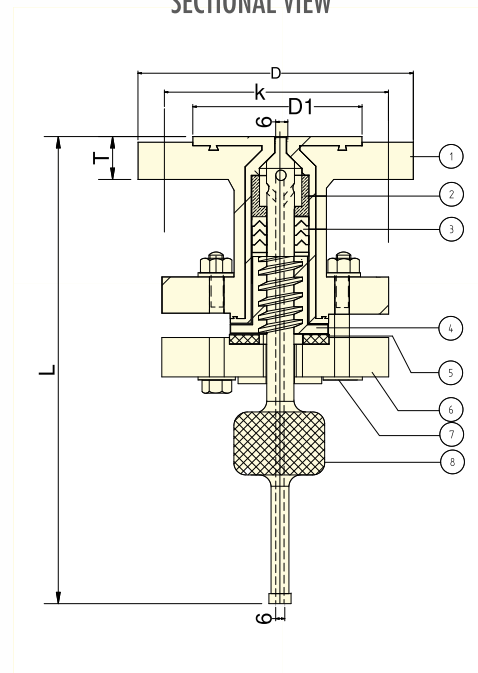
## PART LIST

PART NO.	DESCRIPTION	MATERIAL OF CONSTRUCTION	QTY.
1	Body	ASTM A 216 GR.WCB + PFA LINED	1
2	Material Port	PTFE	1
3	Chevron Packing	PTFE	1
4	Socket	PTFE	1
5	Lock Plate	SS 304	1
6	Companion Flange	SS 304	1
7	Fasteners	SS 304	3
8	Spindle	PTFE	1

## PRODUCT DESIGN AND TESTS PERFORMED

DESIGN PARAMETERS	STANDARD	
Design Standard	MANUFACTURER'S STANDARD	
Shell Design	ANSI B 16.34	
Face To Face Dimensions	MFR'S STANDARD	
Flange Connection Rating	ANSI B 16.5 150# / DIN PN 10	
Testing Standard	BS EN 12266-1	
Connection	FLANGED, RF	
TESTS PERFORMED	EN 12266-1	EN 12266-1
Sizes	1" - 2"	
High Pressure Shell Test Hydro	75 PSI	
SPARK TEST	KVDC	
Testing Done At	20 KVDC	
MATERIAL	OPTIONS AVAILABLE	
Castings	ASTM A 216 GR. WCB, ASTM A 351 GR. CF8 / CF8M, HASTELLOY C 276 / INCONEL	
Lining Materials	PFA/FEP/ETFE/PVDF/PPH	

## SECTIONAL VIEW



## DIMENSIONS

Size	L ± 0.12		D3 ± 0.04		T +0.12 / -0.00		D1 ± 0.02		K ± 0.06		n	Ø	
	INCH	MM	INCH	MM	INCH	MM	INCH	MM	INCH	MM		INCH	MM
1"	7.87	200	4.25	108	0.59	15	2.00	51	3.11	79	04	5/8	16
2"	7.87	200	5.98	152	0.81	20.5	3.62	92	4.76	121	04	3/4	19

All Dimensions are in Inches & mm unless otherwise specified. PCD of the Valve can be provided in ANSI / DIN / JIS. Tolerances are given in Inches.





# SAMPLING VALVE SANDWICH (WAFER)



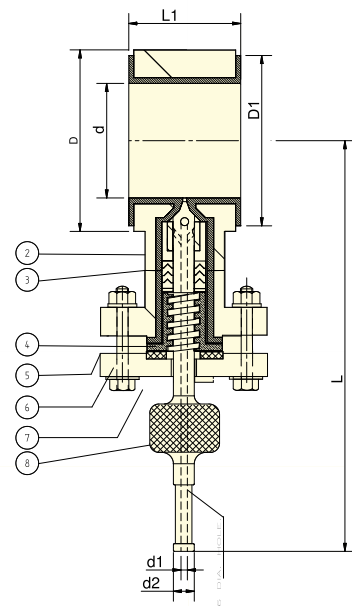
## PART LIST

PART NO.	DESCRIPTION	MATERIAL OF CONSTRUCTION	QTY.
1	Body	ASTM A 216 GR.WCB + PFA LINED	1
2	Material Port	PTFE	1
3	Chevron Packing	PTFE	1
4	Socket	PTFE	1
5	Lock Plate	SS 304	1
6	Companion Flange	SS 304	1
7	Fasteners	SS 304	3
8	Spindle	PTFE	1

## PRODUCT DESIGN AND TESTS PERFORMED

DESIGN PARAMETERS	STANDARD	
Design Standard	MANUFACTURER'S STANDARD	
Shell Design	ANSI B 16.34	
Face To Face Dimensions	MFR'S STANDARD	
Flange Connection Rating	ANSI B 16.5 150# / DIN PN 10	
Testing Standard Connection	BS EN 12266-1 WAFER, RF	
TESTS PERFORMED	EN 12266-1	EN 12266-1
Sizes	1" - 2"	
High Pressure Shell Test Hydro	75 PSI	
SPARK TEST	KVDC	
Testing Done At	20 KVDC	
MATERIAL	OPTIONS AVAILABLE	
Castings	ASTM A 216 GR. WCB, ASTM A 351 GR. CF8 / CF8M, HASTELLOY C 276 / INCONEL	
Lining Materials	PFA/FEP/ETFE/PVDF/PPH	

## SECTIONAL VIEW



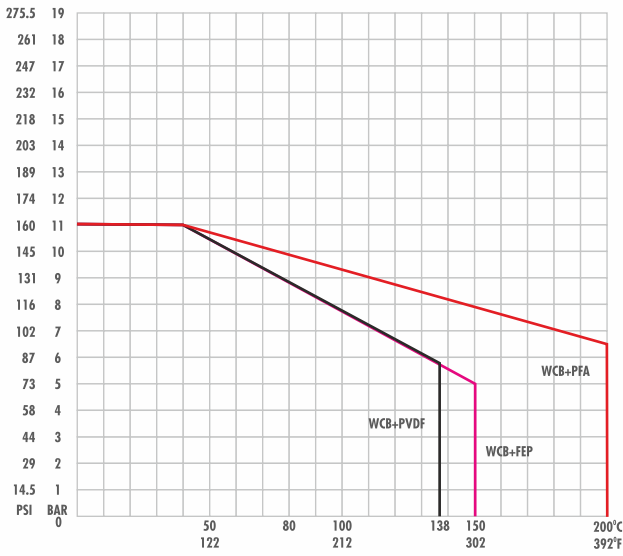
## DIMENSIONS

Size	L ±0.12		L1 ±0.12		d ±0.02		d1		d2		D1 ±0.04		D3 ±0.04	
	INCH	MM	INCH	MM	INCH	MM	INCH	MM	INCH	MM	INCH	MM	INCH	MM
1"	8.27	210	2.36	60	0.79	20	0.24	6	0.71	18	2.00	51	2.44	62
2"	9.05	230	2.36	60	1.97	50	0.24	6	0.71	18	3.62	92	3.74	95

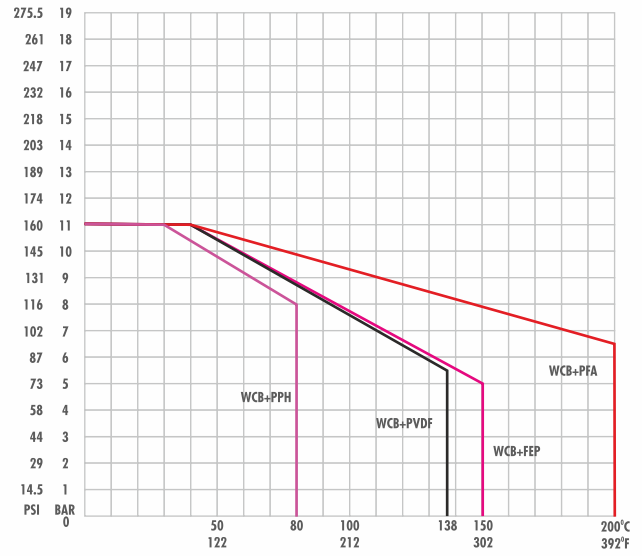
All Dimensions are in Inches & mm unless otherwise specified. PCD of the Valve can be provided in ANSI / DIN / JIS. Tolerances are given in Inches.

# PRESSURE TEMPERATURE GRAPH

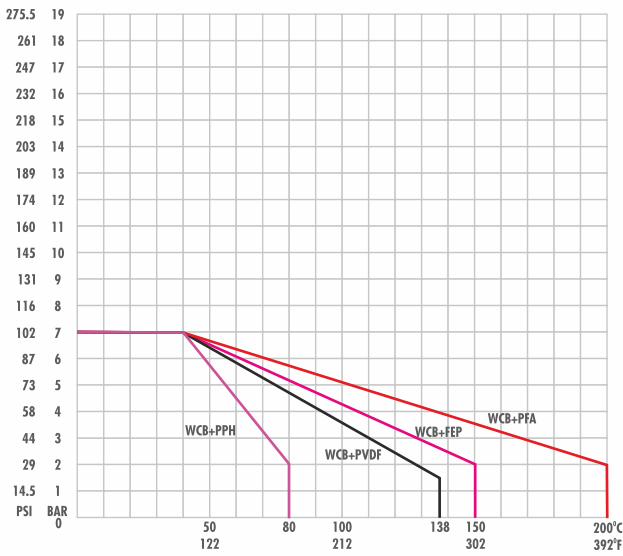
**GLOBE VALVE - PRESSURE TEMPERATURE GRAPH DN15-DN100**



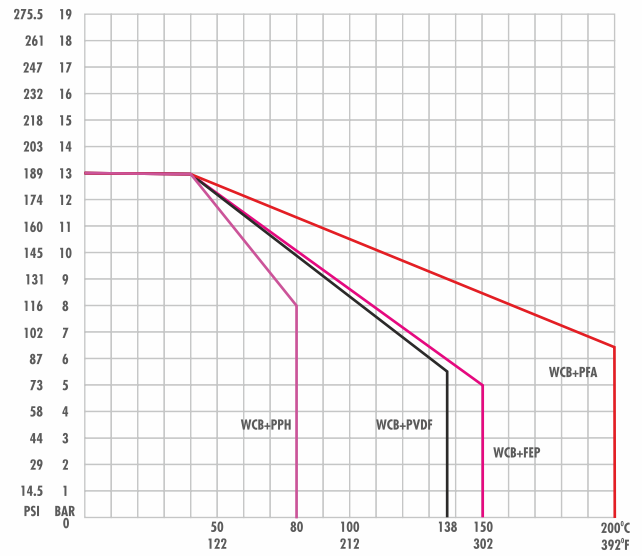
**BALL CHECK VALVE - PRESSURE TEMPERATURE GRAPH DN15-DN100**



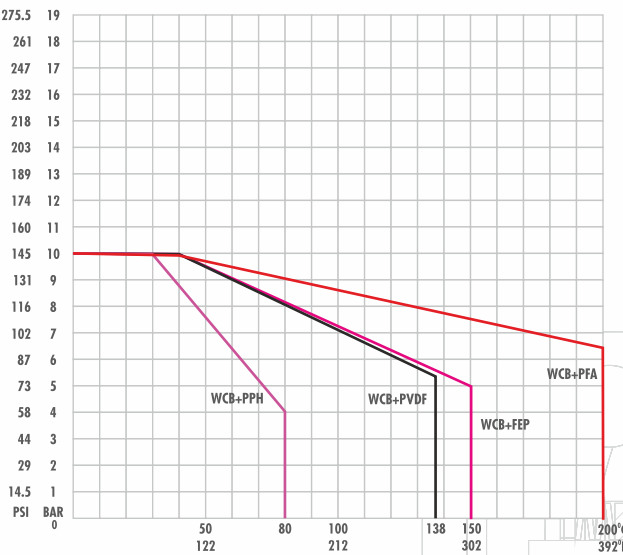
**BALL CHECK VALVE - PRESSURE TEMPERATURE GRAPH DN150-DN200**



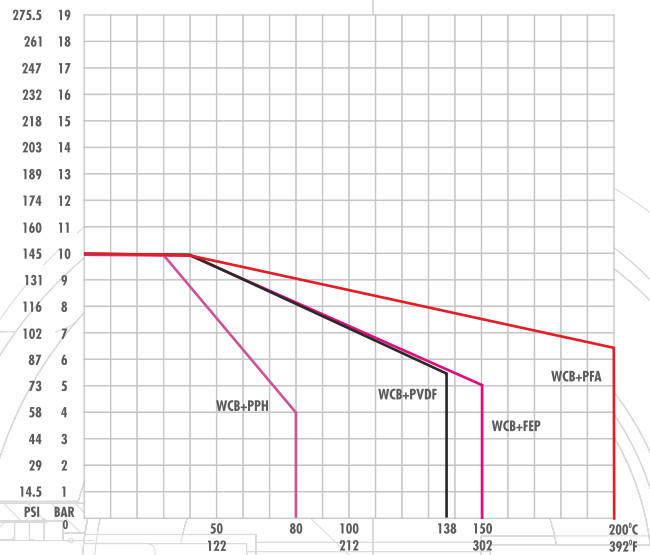
**SWING CHECK VALVE - PRESSURE TEMPERATURE GRAPH Dn50 - DN400**



**SIGHT GLASS - PRESSURE TEMPERATURE GRAPH DN15-DN250**

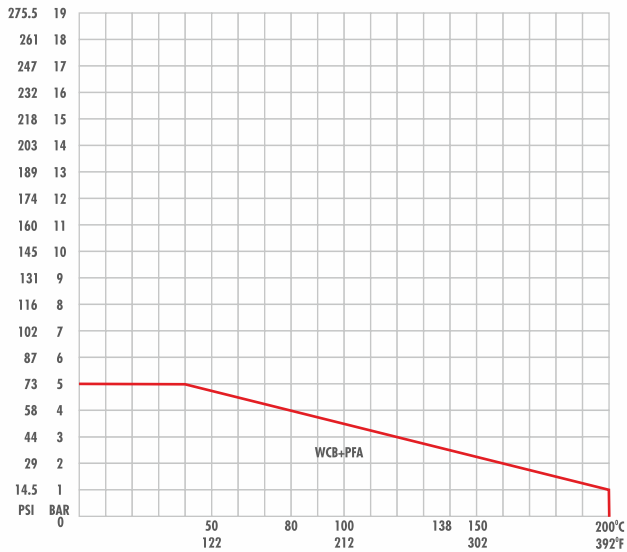


**'Y' STRAINER - PRESSURE TEMPERATURE GRAPH DN15 - DN200**





SAMPLING VALVE - PRESSURE TEMPERATURE GRAPH DN25-DN50



## VALVE CODE USED

VALVE TYPE	CODE
Globe Valve	GLBV
Ball Check Valve	BCKV
Swing Check Valve	SCKV
Sight Glass - Tubular/Full View	SGFV
Sight Glass - Double Window	SGDW
Sampling Valve - Flanged	SMVF
Sampling Valve- Sandwich	SMVS
"Y" Type Strainer	YSTR

TRIM INSERTS	CODE
ASTM A216 GR WCB	T1
ASTM A351 CF8 (SS 304)	T2
ASTM A351 CF8M (SS316)	T3
Alloy 20	T4
Duplex	T5
Super Duplex	T6
PTFE	T7
PTFE + PVDF + EPDM	T8
AISI410	T9
EPDM	TE
HASTELLOY C	HC

## VALVE CODE USED

CASTING	CODE
ASTM A216 GR WCB	C1
ASTM A351 CF8 (SS 304)	C2
ASTM A351 CF8M (SS316)	C3
Alloy 20	C4
Duplex	C5
Super Duplex	C6
Hastelloy C	C7
Glass	GL

SEAT	CODE
PTFE	PT
PTFE WITH SILICON PAD	PS
PTFE WITH VITON PAD	PV
TFM WITH SILICON PAD	TS
TFM WITH VITON PAD	TV
NOT APPLICABLE	XX

FASTENERS	CODE
STEEL PLATED	F1
SS304	F2
SS316	F3
High Tensile	F4
ASTM A193 GR B7	F5
BRASS	F6

LINING MATERIAL	CODE
PFA	L1
FEP	L2
PVDF	L3
ETFE	L4
ECTFE	L5
PPH	L6
Antistatic PFA	L7

LOCKING ARRANGMENT	CODE
YES	Y
NO	N
NOT APPLICABLE	X



OPERATION	CODE
LEVER	L
GEAR	G
BARE STEM	B
HAND WHEEL	H
SELF OPERATING	S

SIZE																		
0.5"	0.75"	1"	1.5"	2"	2.5"	3"	4"	5"	6"	8"	10"	12"	14"	16"	18"	20"	24"	
CODE																		
0H	75	01	1H	02	2H	03	04	05	06	08	10	12	14	16	18	20	24	

## VALVE NET WEIGHTS

SIZE	GLOBE VALVE		GLOBE CONTROL VALVE		BALL CHECK VALVE		SWING CHECK VALVE		'Y' TYPE STRAINER VALVE		SAMPLING VALVE				SIGHT GLASS VALVE			
	KGS	LBS	KGS	LBS	KGS	LBS	KGS	LBS	KGS	LBS	SANDWICH		FLANGED		FULL VIEW		DOUBLE WINDOW	
	KGS	LBS	KGS	LBS	KGS	LBS	KGS	LBS	KGS	LBS	KGS	LBS	KGS	LBS	KGS	LBS	KGS	LBS
0.5	4.90	10.80	34.90	76.80	2.15	4.80	-	-	-	-	-	-	-	-	-	-	-	-
0.75	5.80	12.80	35.80	78.80	3.70	8.20	-	-	5.20	11.50	-	-	-	-	-	-	-	-
1	7.00	15.40	37.00	81.40	3.70	8.20	-	-	5.70	12.60	1.80	4.00	2.00	4.40	3.80	8.40	4.75	10.50
1.5	12.00	26.40	42.00	92.40	6.00	13.20	-	-	9.50	21.00	-	-	-	-	5.80	12.80	7.20	15.90
2	16.50	36.30	46.50	102.30	9.80	21.60	1.80	4.00	12.50	27.50	3.00	6.60	-	-	10.20	22.50	12.70	28.00
2.5	28.00	61.60	63.00	138.60	15.00	33.00	2.20	4.90	29.00	63.80	-	-	-	-	14.40	31.70	18.00	39.60
3	30.50	67.10	65.60	144.40	20.70	45.60	2.55	5.60	31.40	69.10	-	-	-	-	17.50	38.50	25.00	55.00
4	45.00	99.00	80.00	176.00	28.40	62.50	6.40	14.10	44.00	96.80	-	-	-	-	24.50	53.90	35.00	77.00
6	-	-	-	-	59.00	129.80	9.30	20.50	90.00	198.00	-	-	-	-	42.00	92.40	60.00	132.00
8	-	-	-	-	95.00	209.00	17.00	37.50	-	-	-	-	-	-	-	-	80.00	176.00
10	-	-	-	-	-	-	29.00	64.00	-	-	-	-	-	-	-	-	120.00	264.00
12	-	-	-	-	-	-	47.30	104.00	-	-	-	-	-	-	-	-	-	-
14	-	-	-	-	-	-	70.00	154.00	-	-	-	-	-	-	-	-	-	-
16	-	-	-	-	-	-	90.00	198.00	-	-	-	-	-	-	-	-	-	-

## HOW TO READ VALVE CODE

CODE	GLBVCIT2L1XXF1HWY02	
Valve Type	GLOBE VALVE	GLBV
Casting	ASTM A 216 GR. WCB	C1
Trim	SS+PFA LINED	T2
Lining Material	PFA	L1
Seat	INTGRAL PFA	XX
Fastener	STEEL PLATED	F1
Operation	HAND WHEEL	HW
Locking Arrangement	PROVIDED	Y
Size	2"	02

CODE	BCKVCIT7L1XXF1SX02	
Valve Type	BALL CHECK VALVE	BCKV
Casting	ASTM A216 GR WCB	C1
Trim	PTFE	T7
Lining Material	PFA	L1
Seat	INTEGRAL PFA	XX
Fastener	STEEL PLATED	F1
Operation	SELF OPERATING	S
Locking Arrangement	NOT APPLICABLE	X
Size	2"	02

## HOW TO READ VALVE CODE

CODE	SCKVC1T2L1XXF1SX03	
Valve Type	SWING CHECK VALVE	SCKV
Casting	ASTM A216 GR WCB	C1
Trim	ASTM A351 CF8 (SS 304)	T2
Lining Material	PFA	L1
Seat	INTEGRAL PFA	XX
Fastener	STEEL PLATED	F1
Operation	SELF OPERATING	S
Locking Arrangement	NOT APPLICABLE	X
Size	3"	03

CODE	YSTRC1T7L1XXF1SX02	
Valve Type	"Y" TYPE STRAINER	YSTR
Casting	ASTM A216 GR WCB	C1
Trim	PTFE	T7
Lining Material	PFA	L1
Seat	INTEGRAL PFA	XX
Fastener	STEEL PLATED	F1
Operation	SELF OPERATING	S
Locking Arrangement	NOT APPLICABLE	X
Size	2"	02

CODE	SGFVC1GLL1PTF1SX02	
Valve Type	SIGHT GLASS FULL VIEW	SGFV
Casting	ASTM A 216 GR. WCB	C1
Trim	GLASS	GL
Lining Material	PFA	L1
Seat	PTFE	PT
Fastener	STEEL PLATED	F1
Operation	SELF OPERATING	S
Locking Arrangement	NOT APPLICABLE	X
Size	2"	02

CODE	SMVFC1PTL1XXF1LX01	
Valve Type	SAMPLING VALVE FLANGED	SMVF
Casting	ASTM A 216 GR. WCB	C1
Trim	PTFE	PT
Lining Material	PFA	L1
Seat	INTEGRAL PFA	XX
Fastener	STEEL PLATED	F1
Operation	LEVER	L
Locking Arrangement	NOT APPLICABLE	X
Size	1"	01

CODE	SGDWC1GLL1XXF1SX02	
Valve Type	SIGHT GLASS DOUBLE WINDOW	SGDW
Casting	ASTM A 216 GR. WCB	C1
Trim	GLASS	GL
Lining Material	PFA	L1
Seat	INTEGRAL PFA	XX
Fastener	STEEL PLATED	F1
Operation	SELF OPERATING	S
Locking Arrangement	NOT APPLICABLE	X
Size	2"	02

CODE	SMVSC1PTL1XXF1LX01	
Valve Type	SAMPLING VALVE SANDWICH	SMVS
Casting	ASTM A 216 GR. WCB	C1
Trim	PTFE	PT
Lining Material	PFA	L1
Seat	INTEGRAL PFA	XX
Fastener	STEEL PLATED	F1
Operation	LEVER	L
Locking Arrangement	NOT APPLICABLE	X
Size	1"	01



## VADODARA



### CORPORATE OFFICE

946, GIDC, Makarpura,  
Vadodara - 390 010. INDIA  
Phone : +91 - 265 - 2649248, 2632628  
Fax : +91 - 265 - 2637379  
Email : sales.baroda@polyvalve.com | mktg@polyvalve.com

### FACTORY

5 to 12 PR Industrial Estate,  
Por GIDC - Kashipura Road,  
Moje : Kashipura - 391 243,  
Dist. Vadodara. INDIA  
Phone : +91 70434 30467/77 , 70430 20707

## MUMBAI

### THANE

207, Orion Business Park, Next to Cine Max, Kapurbawdi,  
Ghodbunder Road, Thane (W) - 400 607. INDIA.  
Phone : +91 - 22 - 25896422, 25896524 / 25  
Fax : + 91 - 22 - 2589 - 4221  
Email : sales.thane@polyvalve.com | mktg@polyvalve.com

## USA



DJK - Energy Houston

### BRANCH OFFICE

DJK-ENERGY HOUSTON INC.  
13201, NW FWY, Suite 800,  
Houston, Texas - 77040, USA  
Phone : +1 832 213 9674  
Email : djklinedvalvesamerica.us

[www.ptfelinedvalvesindia.com](http://www.ptfelinedvalvesindia.com)

[www.polyvalve.com](http://www.polyvalve.com)

AUTHORISED DISTRIBUTOR FOR  
Australia/NZ/PNG/Philippines

**RHINOFLEX™**

RHINOFLEX VALVE SOLUTIONS PTY.LTD

4/7 Holder Way, Malaga, W.A 6090

Phone: +61 -08 61130808

[sales@rfvs.com.au](mailto:sales@rfvs.com.au)

ISO 9001:2008



- UNP Polyvalves reserves the right, without notice to alter improve the designs, specifications, dimensions of the products described herein.
- UNP Polyvalves does not assume any responsibility for the data given in this brochure. It is necessary for the customers to carry out necessary tests before selecting the MOC for their applications.